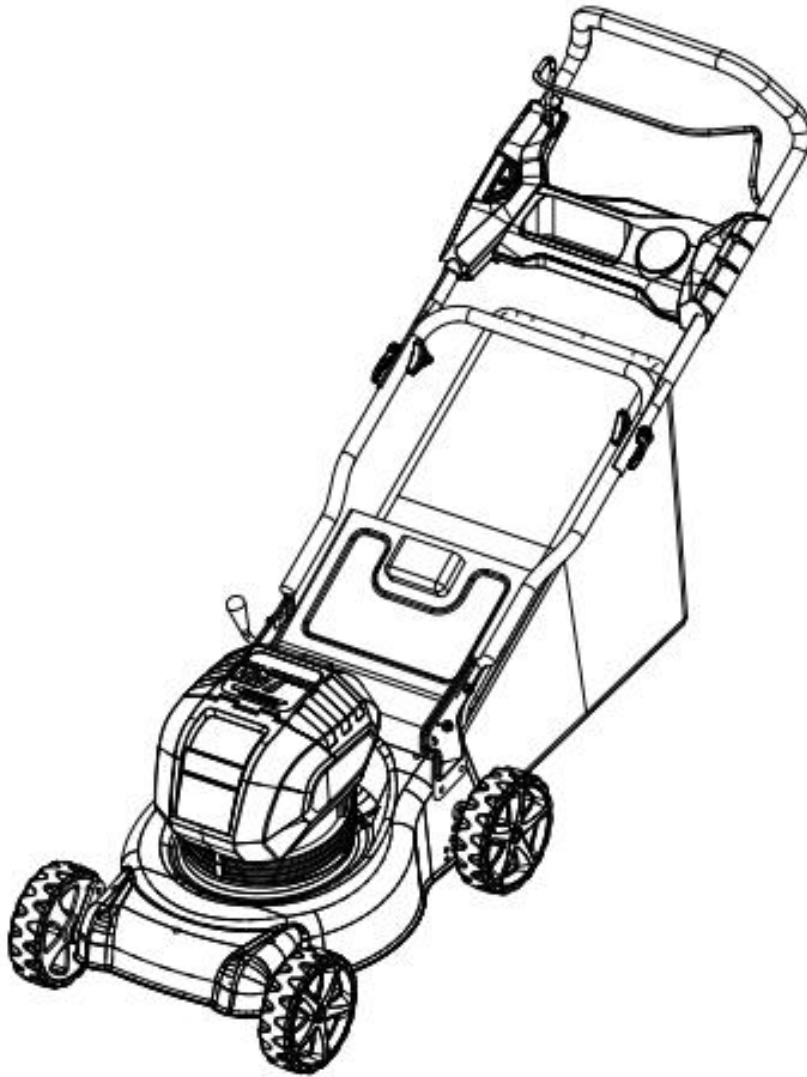


Energizer[®]



CORDLESS LAWNMOWER
EZ40VTDE40N
USER GUIDE

Energizer®

©2018 Energizer. Energizer and certain graphic designs are trademarks of Energizer Brands, LLC and related subsidiaries and are used under license by Builder SAS.

All other brand names are trademarks of their respective owners.

Neither Builder SAS nor Energizer Brands, LLC is affiliated with the respective owners of their trademarks.

Let's get started.

You're excited to power up, so we'll keep this brief !

1. SAFETY WARNING

IMPORTANT READ CAREFULLY BEFORE USE KEEP FOR FUTURE REFERENCE

- 1) Read the instructions carefully. Be familiar with the controls and the proper use of the equipment;
- 2) Never allow children or people unfamiliar with these instructions to use the lawnmower. Local regulations can restrict the age of the operator;
- 3) Never mow while people, especially children, or pets are nearby;
- 4) Keep in mind that the operator or user is responsible for accidents or hazards occurring to other people or their property;
- 5) While mowing, always wear substantial footwear and long trousers. Do not operate the equipment when barefoot or wearing open sandals; Avoid wearing clothing that is loose fitting or that has hanging cords or ties;
- 6) Thoroughly inspect the area where the equipment is to be used and remove all objects which can be thrown by the machine;
- 7) Before using, always visually inspect to see that the blades, blade bolts and cutter assembly are not worn or damaged. Replace worn or damaged blades and bolts in sets to preserve balance. Replace damaged or unreadable labels;
- 8) Mow only in daylight or in good artificial light;
- 9) Avoid operating the equipment in wet grass, where feasible;
- 10) Always be sure of your footing on slopes;
- 11) Walk, never run;
- 12) For wheeled rotary machines; mow across the face of slopes, never up and down;
- 13) Exercise extreme caution when changing direction on slopes;
- 14) Do not mow excessively steep slopes;
- 15) Use extreme caution when reversing or pulling the lawnmower towards you;
- 16) Stop the blades if the lawn mower has to be tilted for transportation when crossing surfaces other than grass, and when transporting the lawn mower to and from the area to be mowed;
- 17) Never operate the lawnmower with defective guards, or without safety devices, for example deflectors and/or grass catchers, in place;
- 18) Start or switch on the motor carefully according to instructions and with feet well away from the blades;
- 19) Do not tilt the lawnmower when starting switching on the motor, except if the lawnmower has to be tilted for starting. In this case, do not tilt it more than absolutely necessary and lift only the part which is away from the operator;
- 20) Do not start the motor when standing in front of the discharge chute;
- 21) Do not put hands or feet near or under rotating parts. Keep clear of the discharge opening at all times;
- 22) Never pick up or carry a lawnmower while the motor is running;
- 23) Stop the motor and switch off isolator key. Make sure that all moving parts have come to a complete stop:
 - Whenever you leave the machine;
 - Before clearing blockages or unclogging chute;
 - Before checking, cleaning or working on the lawnmower;
 - After striking a foreign object. Inspect the lawnmower for damage and make repairs before restarting and operating the lawnmower;
- 24) If lawnmower starts to vibrate abnormally (check immediately):
 - Inspect for damage;
 - Replace or repair any damage parts;
 - Check for and tighten any loose parts;
- 25) Stop the mower:
 - whenever you leave the lawnmower;

- 26) Keep all nuts, bolts and screws tight to be sure the equipment is in safe working condition;
- 27) Check the grass catcher frequently for wear or deterioration;
- 28) Replace worn or damaged parts for safety; Use only genuine replacement parts and accessories;
- 29) Children are not allowed to use the machine;
- 30) This appliance is not intended for use by persons with reduced physical, sensory or mental capabilities, or lack of experience and knowledge, unless they have been given supervision or instruction concerning use of the appliance by a person responsible for their safety;
- 31) Be careful during adjustment of the machine to prevent entrapment of the fingers between moving blades and fixed parts of the machine;
- 32) Always allow the machine to cool before storing;
- 33) After use and before storage, remove the battery from the machine and check for damage;
- 34) When servicing the blades be aware that, even though the power source is switched off, the blades can still be moved;
- 35) Be careful during adjustment of the appliance to prevent entrapment of the fingers between moving blades and fixed parts of appliance;
- 36) Recharge only with the charger specified by the manufacture. Using a charge with an incompatible battery pack may create a risk of fire;
- 37) Use power tools only with specifically designated battery packs. Use of any other battery packs may create a risk of injury and fire;
- 38) When battery pack is not in use, keep it away from other metal objects like, paper clips, coin, keys, nails, screws, or other small metal objects, that can make a connection from one terminal to another. Shorting the battery terminals together may cause burns or a fire.
- 39) Under abusive conditions, liquid may be ejected from the battery:
 - If contact accidentally occurs, flush with water;
 - If liquid contacts eyes additionally seek medical help. Liquid ejected from the battery may cause irritation or burns;
- 40) When device is not in use, keep it away from other metal objects like paper clips, coins, keys, nails, screws, or other small metal objects that can make a connection from one terminal to another. Shorting the battery terminals together may cause burns or a fire;
- 41) Under abusive conditions, liquid may be ejected from the battery, avoid contact. If contact accidentally occurs, flush with water. If liquid contacts eyes, additionally seek medical help. Liquid ejected from the battery may cause skin irritation or burns;
- 42) Children shall not play with the appliance;
- 43) Cleaning and user maintenance shall not be made by children;

Safety advice for rechargeable battery and charger

- Use only the battery provided with the lawn mower and the provided charger.
- Protect battery and battery charger from humidity.
- Do not operate the battery charger outdoors.
- When it is not in use or before cleaning and servicing, disconnect the battery charger from the power supply.
- Take special care of the battery. Avoid dropping it onto any hard surface and do not subject it to pressure or any other form of mechanical stress.
- Keep the battery away from extreme heat and cold.
- Do not open or attempt to repair the battery or the battery charger. If any parts are defective, have them repaired by a qualified technician or send them to our service department for repair.
- Only charge and use the battery at an ambient (surrounding air) temperature between 0°C and +50°C.
- When not in use, store the battery in a dry place between 10°C and 30°C.

- The battery should be recharged when it fails to produce sufficient power on jobs which were easily done previously. DO NOT CONTINUE using product with its battery in a depleted condition.
- The battery is not fully charged at the factory. Before attempting to use it, it must be fully charged firstly.

WARNING:

Never short-circuit the battery or expose it to moisture. Do not store it together with any metal parts which could short-circuit the contacts. The battery could overheat, start burning or explode.

If any person comes into contact with acid or similar internal fluids or substances contained in the battery, wash off these substances immediately with plenty of water. If these substances make contact with the eyes, rinse with plenty of water and visit a doctor immediately

Do not place the rechargeable battery into fire or water. It can explode. The Rechargeable Battery should not be discarded to domestic refuse, regardless of whether used or unused. You should return it to a local battery collection point in accordance with Battery Regulations or return them to us suitably marked "Used Battery".

CHILD SAFETY

Tragic accidents can occur if the operator is not aware of the presence of children.

- Keep children out of the mowing area and under the watchful care of a responsible adult.
- Do not allow children under the age of 14 to operate this mower. Children who are 14 years of age and older must read and understand the operating instructions and safety rules in this manual, and must be trained and supervised by a parent.
- Stay alert, and turn the mower off if a child or any other person enters the mowing area.
- Look behind and down for small children before and while moving backwards.
- Use extreme care when approaching blind corners, doorways, shrubs, trees, or other objects that may obscure your view of a child who may run into the path of the mower.

Symbols

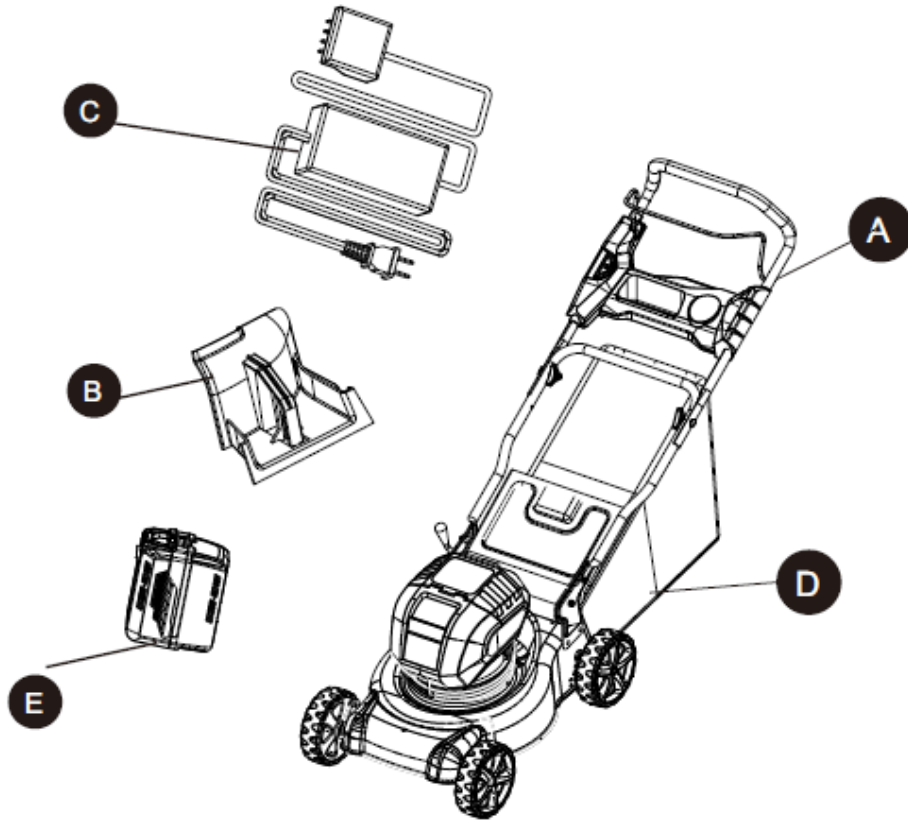
	<p>Read this instruction book carefully before using the lawn mower and keep it in a safe place for future reference</p>		<p>Warning symbol</p>
	<p>Risk of projections. Keep bystanders away.</p>		<p>Do not expose to rain and humidity</p>
	<p>Beware of sharp blades. Blades continue to rotate after the motor is switched off. Remove disabling device before maintenance</p>		<p>Risk of explosion</p>
	<p>Guarantee noise level</p>		<p>Do not smoke, do not bring inflammable products</p>

Intended use

This mower is designed for natural grass mowing. Any other use is prohibited. It is suitable only for private use in a garden or plot. Lawnmowers designed for private plots or gardens are those used for the maintenance of grassy areas and private lawns and should not be used in public areas, parks, sports, agricultural or forest areas.

2. THE PRODUCT

a. Delivery

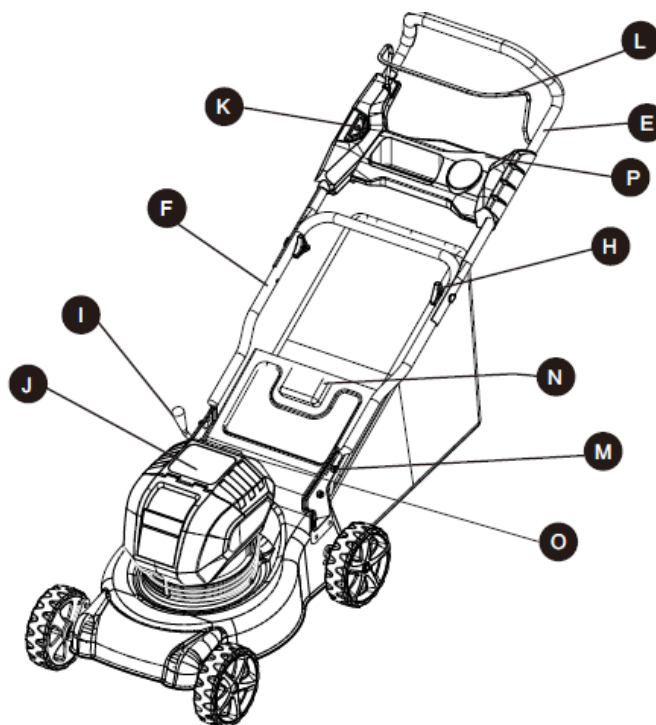


A	Lawnmower	1
B	Mulching plug	1
C	Charger	1
D	Grass catcher bag	1
E	Battery 40V 4.0Ah	1

The tool is delivered with screw, nut, cam locks and wrench.

b. Description

E	Upper handle
F	Lower handle
H	Cam locks
I	Height adjustment lever
J	Battery door
K	Start button
L	Switch bar
M	Lower handle locks
N	Rear discharge cover
O	Battery release button
P	Cup holder



c. Technical data

Model	EZ40VTDE40N
Battery type	40V d.c.
Charging time	2 hours (4.0Ah battery)
No load speed	3000-3500/min
Cutting width	400 mm
Volume of grass catcher	50 L
Net weight	20 kg
Battery pack	BAT36V-5AH
Charger	CHAR-50HZ
Guarantee sound power level	94 dB(A)
Sound power level	91 dB(A) K= 3 dB(A)
Sound pressure level	80 dB(A) K= 3 dB(A)
Vibration	2,2 m/s ² K= 1,5m/s ²

3. ASSEMBLY

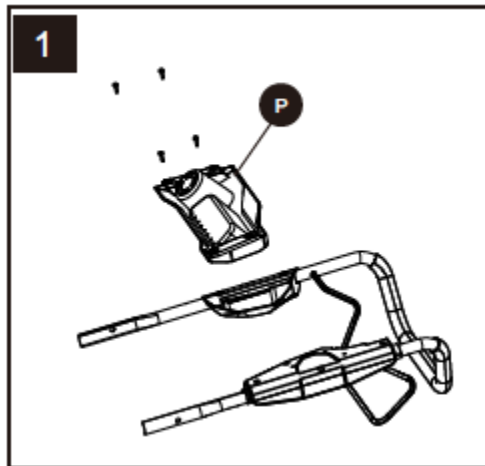
a. Unpacking

Before beginning assembly of product, make sure all parts are present. Compare parts with package contents list and hardware contents list. If any part is missing or damaged, do not attempt to assemble the product.

- Carefully remove the product and any accessories from the box. Make sure that all items listed in the packing list are included.
- Inspect the product carefully to make sure no breakage or damage occurred during shipping.
- Do not discard the packing material until you have carefully inspected and satisfactorily operated the product.
- If any parts are damaged or missing, please call dealer for assistance.

b. Install the cup holder

- o Install cup holder (P) to upper handle assembly and screw it in place with the 4 provided screws.



c. Bar assembly

- Install the lower bar on the tool and align the holes.
- Screw the lower bar with the provided screws and nuts.



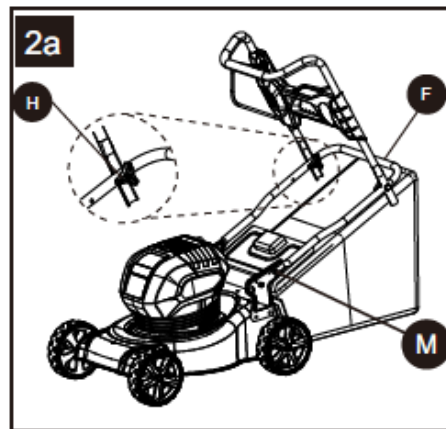
- Place the upper handle on the lower handle. The holes must be aligned
- Insert the cam locks and screw them with the wing nuts.



d. Unfolding and adjusting handle assembly

To raise handle assembly

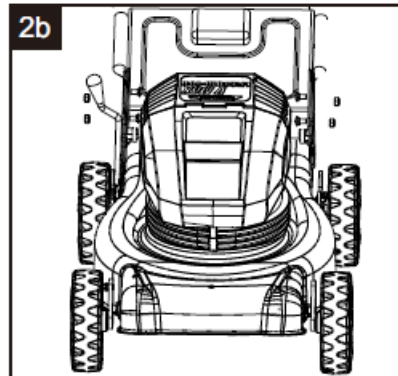
- Pull up and back on the lower handle (F) until it is aligned with the hole position of the arm support and the mower housing.
- To secure the lower handle (F) in place, lock the lower screw (M).
- Open the upper cam locks (H).
- Pull up and back on the upper handle to raise it into operating position.
- To secure the upper handle in place, close the upper cam locks (H).



NOTE: If the upper handle is loose or separated from the lower handle, tighten the knobs on the upper handle locks by turning them clockwise.

To lower the handle assembly

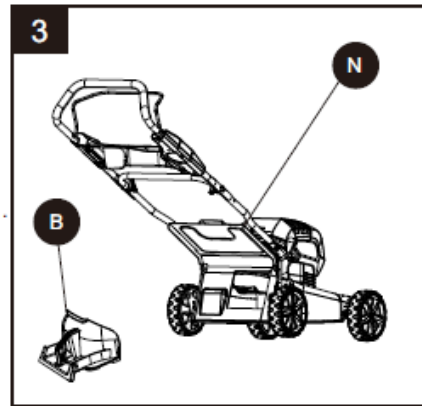
- Open the upper cam locks (H).
- NOTE: If the handle lock is difficult to open, loosen the knobs on the upper handle locks by turning them counter clockwise.
- Lower the upper handle.
- Unfix the lower screw (M).
- Fold the handle to the front of the unit.
- Avoid pinching or trapping any cables.



e. **Installing the mulching plug (only for mulching operation)**

NOTE: When using the mulching plug (B), do not install the grass catcher.

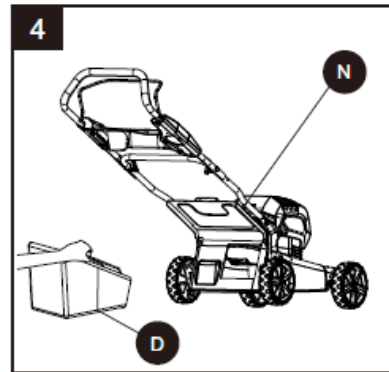
- Remove battery.
- Lift and hold the rear discharge door (N).
- Grasp the mulching plug (B) by its handle and insert it at a slight angle.
- Push the mulching plug (B) securely into place.
- Lower the rear discharge door.
- Reinstall battery when you are ready to mow.



f. **Installing the grass catcher (only for rear bagging operation)**

NOTE: When using the grass catcher (D), do not install the mulching plug.

- Remove battery.
- Lift the rear discharge door (N).
- Lift the grass catcher (D) by its handle and place under the rear discharge door (N) so that the hooks on the grass catcher are seated onto the slots on the mower housing.
- Release the rear discharge door (N).
- Reinstall battery when you are ready to mow.

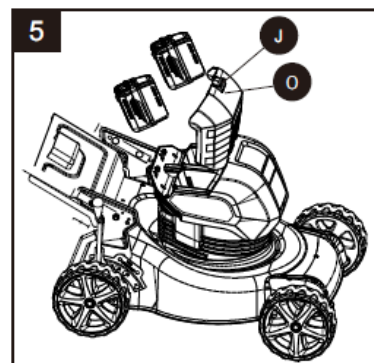


g. **Installing/removing the battery**

WARNING

Always remove battery from your tool when you are assembling parts, making adjustments, cleaning, or when not in use. Removing battery will prevent accidental starting that could cause serious personal injury.

- Open the battery cover (J).
- Place the battery in the mower in the battery housing. Align raised ribs on battery with grooves in the mower's battery port.
- Push down into battery compartment until the battery clicks into place.
- **Install the safety plug in its location**
- **Do not insert the safety plug if you do not use the tool immediately.**
- Close the battery cover.



WARNING

Make sure the latch on top of the battery with battery release button snaps in place and the battery is fully seated and secure in the mower's battery port before beginning operation. Failure to securely seat the battery could cause the battery to fall out, resulting in serious personal injury.

To remove battery

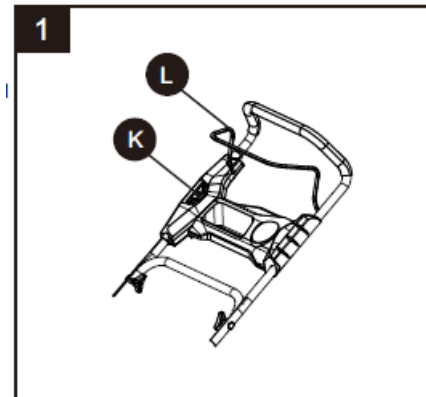
- o Press the battery release button (O) on the mower. This will allow removing the battery out of the tool slightly.
- o Raise the battery cover.
- o Remove battery from the mower.
- o The battery can be stored in the storage housing next to the battery housing.

4. OPERATION

a. Starting/stopping

- Open the battery cover.
- Install battery.
- Close the battery cover.
- Press and hold the start button (K). Pull the bar switch (L) toward the handle and release the button to start the mower.
- To stop the mower, release the bar switch.

NOTE: Power save feature automatically adjusts the cutting speed of the blades to match the application to give the best possible cut while maximizing run time and battery life.

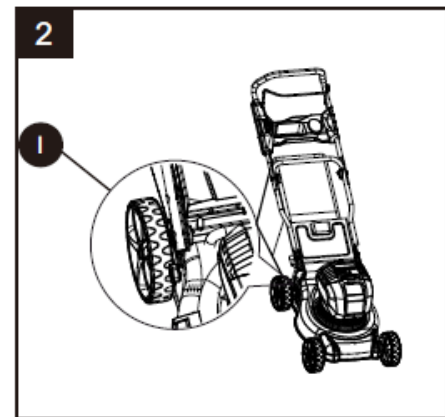


b. Setting blade height

When shipped, the wheels on the mower are set to a low-cutting position. Before using the mower for the first time, raise the cutting position to the height best suited for your lawn. The average lawn should be between 1 in. to 2 in. during cool months and between 2 in. and 3-3/8 in. during hot months.

To adjust the blade height:

- To raise the blade height, grasp the height adjustment lever and move it toward the front of the mower.
- To lower the blade height, grasp the height adjustment lever and move it toward the back of the mower



c. Mowing tips

NOTE: A sharp blade will greatly enhance the performance of the mower, especially when cutting high grass. Be sure to check the blade and to sharpen it at least once per year.

- Verify that the lawn is free of stones, sticks, wires, and other objects that could damage the blades or the motor. These objects could be accidentally thrown by the mower in any direction, and could cause serious personal injury to the operator and to others. In order to prevent electric shock, do not operate the mower in damp or wet conditions.
- Do not mow in circles. Travel back and forth across the lawn.
- When cutting thick grass, reduce walking speed in order to allow for a more effective cut and a proper discharge of the clippings.
- For a healthy lawn, always cut off one-third or less of the total length of the grass. The average lawn should be approximately 1 to 2 in. (2.5 cm to 5 cm) long during cool months, and between 2 in. to 3-3/8 in. (5 cm to 8.5 cm) long during hot months. If there is growth, the lawn should be cut in the fall.

d. Mulching tips

NOTE: Inspect the area where the mower is to be used and remove all stones, sticks, wire, bones, and other debris that might be thrown by the rotating blade.

- Release the switch to turn the mower OFF when crossing any gravelled area (stones can be thrown by the blade).
- Set mower to the highest cutting height when mowing on uneven ground or in tall weeds.

- For effective mulching, do not cut wet grass because it tends to stick to the underside of the deck, preventing proper mulching of grass clippings. New or thick grass may require a narrower cut. The ground speed should be adjusted to the condition of the lawn. If mowing has been delayed and the grass has been allowed to grow longer than 4 in. (10 cm), mow the lawn twice in order to reduce the grass height to a maximum of 3-3/8 in. (8.5 cm).
- Walk at a steady pace. Overlap the cutting rows. Do not let the grass get too tall. If the grass gets too long, start at the highest cutting position and work down to the desired cutting height.

WARNING

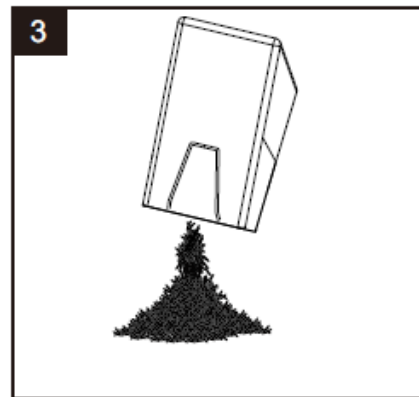
If you strike a foreign object, stop the motor and remove the battery. Thoroughly inspect the mower for any damage. Repair any damage before operating the mower. Excessive vibration of the mower during operation is an indication of damage. Thoroughly inspect the mower and repair any damage before operating the mower.

e. Emptying the grass catcher bag

Stop the mower and allow blades to completely stop.

- Lift the rear discharge cover.
- Lift the grass catcher by its handle to remove from mower.
- Empty the grass catcher.
- Lift the rear discharge cover and reinstall the grass catcher as described earlier in this manual.

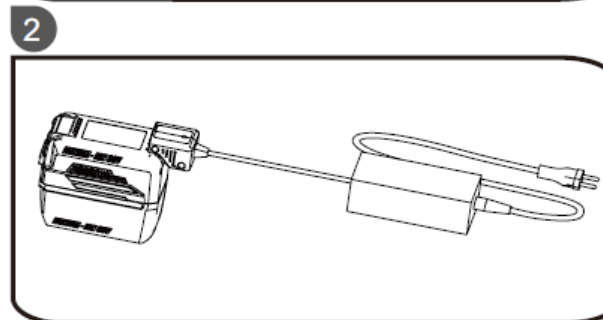
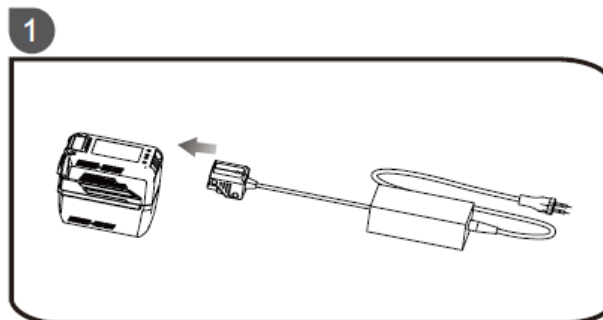
NOTE: When the grass catcher bag full, the grass catcher bag needs to be emptied.



f. Battery and charger

To charge the battery:

- Remove the battery from the tool
- Plug the charger to a power socket. Then plug the charger to the battery.



5. CARE AND MAINTENANCE

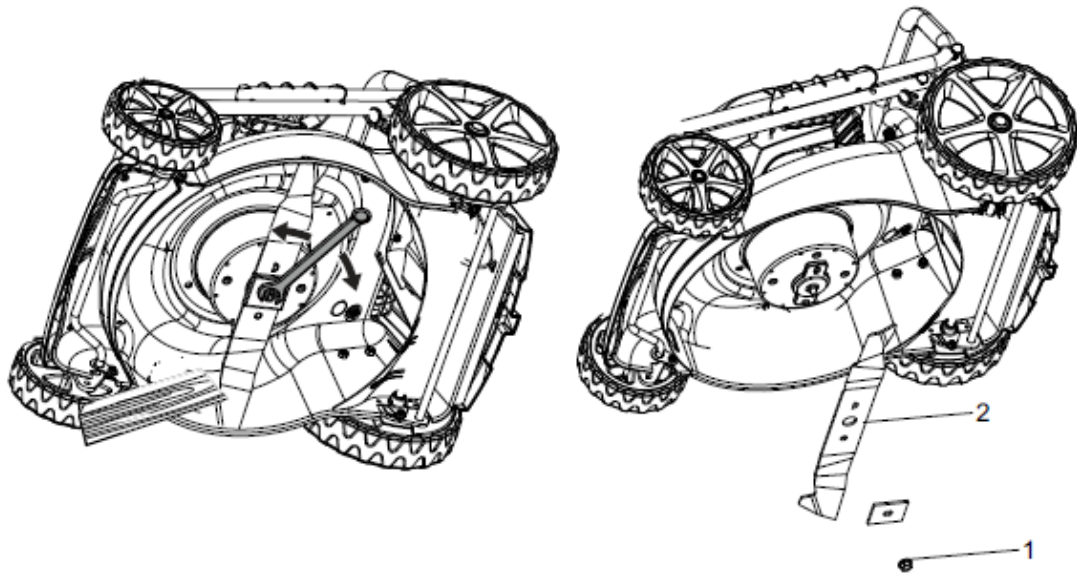
a. Replacing the cutting blade

WARNING

Always protect your hands by wearing heavy gloves and/or wrapping the cutting edges with rags or other materials when performing any maintenance on the blades. ALWAYS remove the battery when servicing or transporting the mower.

Wedge a block of wood between the blade and the mower deck in order to prevent the blade from turning when the bolt (1) is being removed.

- Using an adjustable wrench or 27 mm socket, loosen the bolt (1) and remove the blade (2). Turn the bolt "COUNTERCLOCK WISE" to loosen it and "CLOCKWISE" to tighten it.
- Remove the bolt (1) and the blade (2).
- To re-install the blade, position the blade with the cutting edges toward the ground. Assemble the bolt as shown. Using a 27 mm socket or wrench, turn the blade nut "CLOCKWISE" in order to secure the blade.



NOTE: Be sure to replace the parts in the exact order in which they were removed. When installing the cutting blade, verify that it is installed with the curved ends pointing toward the mower deck, and not toward the ground.

b. Cleaning the mower

WARNING

In order to reduce the risk of electric shock, do not expose the mower to water.

The underside of the mower deck should be cleaned after each use, because grass clippings, leaves, dirt, and other debris will accumulate, which will cause rust and corrosion. Remove any build-up of grass and leaves on or around the motor cover (do not use water). Occasionally wipe the mower clean with a dry cloth. If debris builds up on the underside of the mower during use, stop the motor, disconnect it from the battery, and then tilt the mower on its side, and scrape it clean using an appropriate tool.

c. Servicing and adjustment

- Identical replacement parts are available from the manufacturer. The use of parts that do not meet the original equipment specifications may lead to improper performance, and may compromise safety.

- Before cleaning, repairing, or inspecting, verify that the blade and all moving parts have come to a complete stop. Remove the battery when making any adjustments or when any of the four wheels must be lifted off the ground.
- Keep the handles dry, clean, and free of oil and grease.
- In order to reduce the risk of fire, keep the motor free of grass, leaves, and debris build-up.
- Check the blade and motor mounting bolts for proper tightness frequently. Visually inspect blade for damage (e.g., bent, cracked, or worn).
- For best and safest performance, maintain the mower with care. Keep the mower blade sharp and clean. Mower blades are sharp, and can cut. Wrap the blades or wear gloves, and use extra caution when servicing.
- Keep all nuts, bolts, and screws tight in order to be sure that the equipment is in safe working condition.
- Never tamper with safety devices. Check them regularly for proper operation.
- After striking a foreign object, stop the motor. Thoroughly inspect the mower for any damage. Repair any damage before operating the mower.
- The grass catcher components, discharge cover, and trail shield are subject to wear and damage, which could expose moving parts or allow objects to be thrown. As a safety precaution, check these components frequently, and immediately replace any parts that show signs of wear, or that are cracked or broken. Use original equipment manufacturer's parts only.
- When it is not in use, store the mower indoors in a dry area, and out of the reach of children.

d. Transport

Transport the battery in accordance with local and national provisions and regulations. Follow all special requirements on packaging and labelling when transporting batteries by a third party. Ensure that no batteries can come in contact with other batteries or conductive materials while in transport by protecting exposed connectors with insulating, non-conductive caps or tape. Do not transport batteries that are cracked or leaking.

6. RECYCLING AND DISPOSING

When you decide to get rid of the machine, make sure to follow the local regulation. The batteries used in this mower's battery pack contain the following toxic and corrosive material: LITHIUM-ION.

WARNING

Toxic materials must be disposed of in a specified manner in order to prevent contamination of the environment. Before disposing of damaged or worn out Lithium-Ion battery packs, contact your local waste disposal agency for information and specific instructions. Take the battery to a local recycling and/or disposal centre that are certified for disposal. If the battery pack cracks or breaks, whether it leaks or not, do not recharge it and do not use it. Dispose of it and replace it with a new battery pack. **DO NOT ATTEMPT TO REPAIR IT!**

Follow these instructions in order to avoid injury and the risk of fire, explosion, or electric shock, and to avoid damage to the environment:

- Cover the battery's terminals with heavy-duty adhesive tape.
- Do not attempt to remove or destroy any of the components of the battery pack.
- Do not attempt to open the battery pack.
- If a leak develops, the electrolytes that are released are corrosive and toxic. Do not get the solution in the eyes or on the skin, and do not swallow it.
- Do not place batteries in regular household trash.
- DO NOT incinerate batteries.
- DO NOT place batteries where they will become part of any waste landfill or municipal solid waste stream.

Package materials are recyclables. Please, throw them away on the appropriate trash can.



Electrical products should not be discarded with household products. According to the European Directive 2012/19/EU on waste electrical and electronic equipment and its implementation into national law, electrical products used must be collected separately and disposed of at collection points provided for this purpose. Talk with your local authorities or dealer for advice on recycling.



WARRANTY

The manufacturer warrants the product against defects in materials and workmanship for a period of 2 years from the date of purchase to the original purchaser. The guarantee applies when the product is used as a home tool. The warranty does not extend for failures due to normal wear and tear.

The manufacturer agrees to replace the spare parts that are classified as defective by a designated distributor. The manufacturer will not accept responsibility for the replacement of the machine, either partially or in full, and / or consequential damages.

The warranty does not cover failures due to:

- Insufficient maintenance.
- Assembly, adjustment or abnormal operation of the product.
- Spare parts that are subject to wear.

Nor does the guarantee extend to:

- Cost of freight and packaging.
- The use of the tool for any other purpose than for which it was designed
- Use and maintenance of the machine in a manner not described in the user's manual.

As part of our policy of continuous product improvement, we reserve the right to alter or modify specifications without prior notice. As a result, the product may differ from the information contained herein, but any alteration will only be implemented without prior notice if it is classified as an improvement of the previous specification.

READ THE MANUAL CAREFULLY BEFORE USING THE MACHINE.

When ordering spare parts, please quote the part number or code, this can be found in the parts list included in this manual.

Keep the purchase receipt; Without it, no guarantee will be valid.

In order to get help about your lawn mower we invite you to go through this link or to call us by phone

+33 (0)8.20.20.22.68:

<https://services.swap-europe.com/contact>

You need to create a "ticket" via their platform.

- Login or create your account
- Put your tool reference
- Choose the subject of your request
- Explain your problem
- Attach these files: the invoice or receipt, the nameplate picture (serial number), the picture of the part you need (for example: pins on the transformer plug that broke away)

We offer you a warranty extension to 1 year. To profit it, please follow the below proceeding:

- Connect on the website:
- Insert your contact details
- Register your tool with:
 - The reference
 - The serial number
 - The date you bought the tool
- Generate automatically the PDF warranty certificate and print it.

7. CE DECLARATION OF CONFORMITY

BUILDER SAS
32, rue Aristide Bergès -Z1 31270 Cugnaux - France
Tel. +33 (0) 5.34.502.502 Fax: +33 (0) 5.34.502.503

Declares that the machine named below
Cordless LAWNMOWER
EZ40VTDE40N

Serial number:

Complies with the following European Directives:

Machinery Directive 2006/42/EC
EMC Directive 2014/30/EU

Other applicable Directives:

Noise Directive 2000/14/EC Annex VI and 2005/88/EC

Measured sound power level: 91 dB(A) K= 3 dB(A)
Guaranteed Sound Power Level: 94 dB(A)

Notified body 0359

Intertek Testing & Certification Ltd.
Davy Avenue, Knowhill, Milton Keynes, MK5 8 NL
Telephone : +44 (0)1908 857777 Fax : +44 (0)1908 857830
Web : www.intertek.com

Applicable harmonized standards:

EN60335-1:2012+A1:2014
EN60335-2-77:2010
EN62233:2008
EN55014-1:2006+A1:2009+A2:2011
EN55014-2:2015

Cugnaux,

Philippe MARIE / CEO



Responsible of technical file: M. Olivier Patriarca